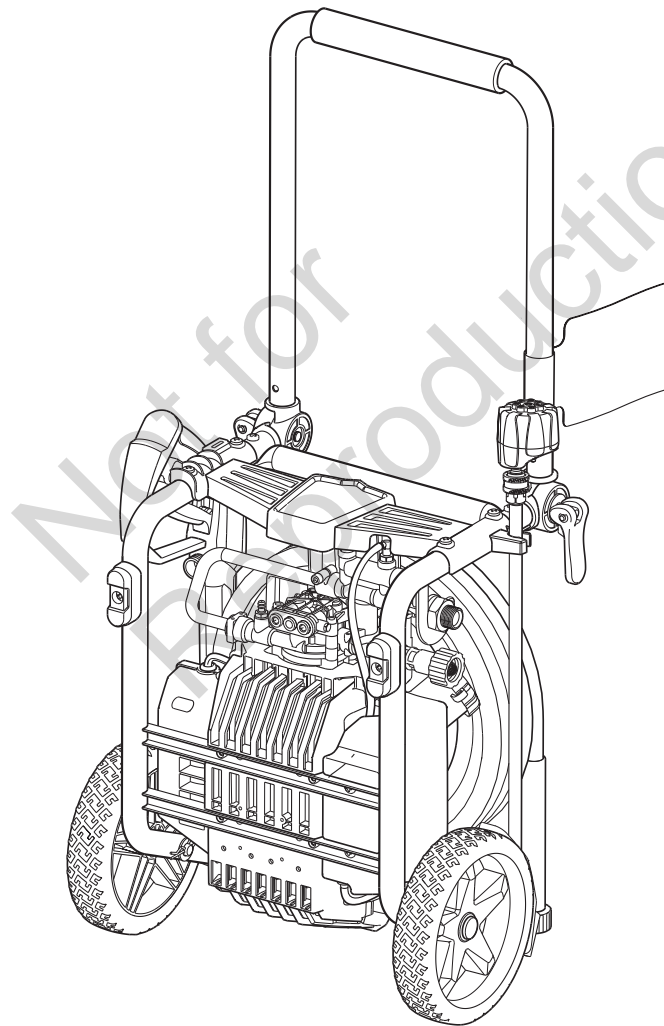




Electric Pressure Washer

OPERATOR'S MANUAL



BRIGGS & STRATTON CORPORATION
MILWAUKEE, WISCONSIN, U.S.A.

Manual No. 80026126 Revision B

Thank you for purchasing this quality-built Briggs & Stratton® pressure washer. We are pleased that you've placed your confidence in the Briggs & Stratton brand. When operated and maintained according to the instructions in this manual, your Briggs & Stratton pressure washer will provide many years of dependable service.

This manual contains safety information to make you aware of the hazards and risks associated with pressure washers and how to avoid them. Because Briggs & Stratton does not necessarily know all the applications this pressure washer could be used for, it is important that you read and understand these instructions thoroughly before attempting to start or operate this equipment. **Save these original instructions for future reference.**

This pressure washer requires final assembly before use. Refer to the *Assembly* section of this manual for instructions on final assembly procedures. Follow the instructions completely.

Where to Find Us

You never have to look far to find Briggs & Stratton support and service for your pressure washer. There are thousands of Briggs & Stratton authorized service dealers worldwide who provide quality service. You can also contact Briggs & Stratton Customer Service by phone at **1800-356-632 (AUS) or 0800-484-282 (NZ)**, or on the Internet at BRIGGSandSTRATTON.com.au.

Pressure Washer

Model Number _____

Revision _____

Serial Number _____

Date Purchased _____

Table of Contents

Operator Safety	3
Assembly	5
Features and Controls	8
Operation	9
Maintenance	12
Troubleshooting	14
Warranty	15
Product Specifications	16

Operator Safety

Equipment Description



Read this manual carefully and become familiar with your pressure washer. Know its applications, its limitations, and any hazards involved.

This machine is not intended for use by persons (including children) with reduced physical, sensory or mental capabilities, or lack of experience and knowledge.

Every effort has been made to ensure that the information in this manual is accurate and current. However, we reserve the right to change, alter, or otherwise improve the product and this document at any time without prior notice.

NOTICE This equipment is designed to be used with Briggs & Stratton authorized parts **ONLY**.

POWERflow+ Technology

POWERflow+ Technology is a deep cleaning pressure washer with both high pressure to lift dirt AND high flow to easily wash it away. In the high flow mode, POWERflow+ Technology enhances the cleaning experience by providing extended reach, power soaping, and faster rinsing capabilities.

The force behind POWERflow+ is in the pump with two separate cleaning modes: high pressure and high flow. The high-pressure mode delivers up to 2000 PSI (13.8 MPa or 138 BAR) and is ideal for cleaning the toughest stains, mildew and grime from decks, driveways and siding, while the high-flow mode delivers up to 12.1 LPM (3.2 GPM) to power-rinse away dirt, soap and debris. The high flow mode also makes it the best to use for washing delicate surfaces such as patio furniture, vehicles, and children's outdoor play sets and toys.

Briggs & Stratton's POWERflow+ Technology is a system of components working in concert to deliver the high-flow capability. Water is sent from the pump to the specially designed 10 m (32.8 ft.) hose and into the custom-engineered POWERflow+ gun with soft grip handle. Water then flows into the exclusive 7-in-1 nozzle that allows user to change from High Pressure to High Flow, without changing nozzle tips, and propels the stream up to 9.1 m (30 ft.).

Portable Residual Current Device Protection

This pressure washer is provided with a portable residual current device (PRCD) built into the power supply cord. This device provides additional protection from the risk of electric shock. The PRCD provides 10 mA of protection. Should replacement of the cord become necessary, use only identical replacement parts that include PRCD protection. Contact a Briggs & Stratton authorized service dealer.

Automatic Shut-Off

The electric pressure washer is equipped with a sensor that will detect that water flow has stopped when releasing or locking the spray gun trigger. The sensor will cause the motor to shut off for as long as the spray gun trigger is released or locked.

If the motor continues to run when the spray gun trigger is released or locked, **DO NOT USE THE MACHINE**. Call the electric pressure washer helpline at **1800-356-632 (AUS)** or **0800-484-282 (NZ)** for assistance.

NOTICE The electric pressure washer is equipped with a main power ON/OFF switch. The switch should always be moved to the OFF position (0) when the electric pressure washer is not being used to prevent possible damage.

Motor Overload

The electric motor in this electric pressure washer is equipped with an overload protection device (thermostat). This device will automatically shut off the motor if the motor overheats or draws excessive current.

If the overload protection device is tripped, disconnect the power supply by turning the master ON/OFF switch to the OFF (0) position. Let unit cool for 30 minutes. Then turn the master ON/OFF switch to the ON (I) position to resume operation.

CAUTION In order to avoid a hazard due to inadvertent resetting of the thermal cut-out, this appliance must not be supplied through an external switching device, such as a timer, or connected to a circuit that is regularly switched on and off by the utility.

Important Safety Information

Safety and Control Symbols

A safety symbol may be used to represent the type of hazard. **WARNING** indicates a hazard which, if not avoided, *could* result in death or serious injury. **CAUTION** indicates a hazard which, if not avoided, *could* result in minor or moderate injury. **NOTICE** indicates information considered important, but not hazard-related.



Read Manual



Non-Potable Water



Do Not Freeze



Safety Alert



Slippery Surface



Flying Objects



Chemical Burn



Fluid Injection



Electrical Shock



Fire



Fall



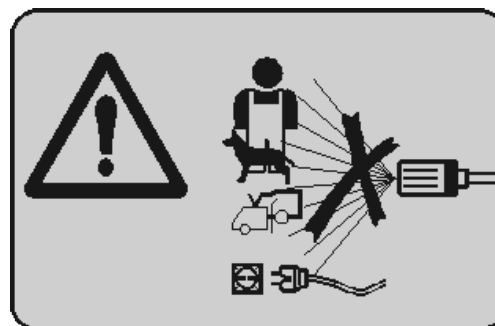
Projectile




On





Off




Never spray yourself, others, animals, power sources, or the unit itself.

 **WARNING** Risk of electrocution. Contacting both power conductors, at the same time could cause electric shock or burn resulting in death or serious injury.



- Inspect cord before each use, DO NOT use if cord is damaged.
- The product is equipped with a portable residual current device (PRCD) built into the power cord. If replacement of the cord is required, use only identical replacement parts.
- Keep all connections dry and off the ground.
- DO NOT touch plug with wet hands.
- DO NOT run cord through doorways, windows, holes in ceilings, walls, or floors.
- DO NOT walk on cord.
- DO NOT drive over, drag or place objects over cord.
- DO NOT spray near power source or at the unit.

  **WARNING** Use of electric pressure washer could create puddles and slippery surfaces. Risk of kickback. Spray gun could kickback causing you to fall resulting in death or serious injury.


- Operate the electric pressure washer from a stable surface.
- Do not overreach or stand on unstable support. Keep good footing and balance at all times.
- The cleaning area should have adequate slopes and drainage to reduce the possibility of a fall due to slippery surfaces.
- Be extremely careful if you must use the electric pressure washer from a ladder, scaffolding, or any other similar location.
- Firmly grasp spray gun with both hands when using power spray modes to avoid injury when spray gun kicks back.

 **WARNING** Risk of electrocution. Use of an extension cord could cause electric shock or burn resulting in death or serious injury.

- DO NOT use an extension cord with this electric pressure washer. Your home's electrical circuit receptacle or extension cord may not provide lifesaving portable residual current device (PRCD) protection.

  **WARNING** Risk of eye or bodily injury. Spray could splash back, propel objects or cause internal harm resulting in serious injury.

- Always wear indirect vented (chemical splash) safety goggles marked to comply with AS/NZS 1337 (ANSI Z87.1 equivalent) when using or in vicinity of this equipment.
- Know how to stop the pressure washer and bleed pressure quickly. Be thoroughly familiar with the controls.
- DO NOT allow CHILDREN or untrained personnel to operate the electric pressure washer.
- Keep operating area clear of all persons.
- Inspect high pressure hose before each use. NEVER repair high pressure hose; replace it.
- DO NOT repair leaking connections with sealant of any kind; replace o-rings and gaskets.
- Keep hose connected to electric pressure washer and spray gun while system is pressurized.
- ALWAYS point spray gun in safe direction while system is pressurized and squeeze spray gun trigger to release high pressure, every time you turn off the pressure washer.
- DO NOT aim spray gun at people or animals.
- DO NOT drink from hose connected accessories.
- DO NOT secure spray gun in open position.
- DO NOT leave spray gun unattended while the electric pressure washer is in ON (I) position.
- Always switch off the master switch when leaving the machine unattended.
- DO NOT use a spray gun which does not have a trigger lock or trigger guard in place and in working order.
- Always be certain spray gun and accessories are correctly attached.
- Stay alert – watch what you are doing.
- DO NOT operate the product when fatigued or under the influence of alcohol or drugs.
- Close supervision is necessary when this product is used near children.

 **WARNING** The high pressure stream of water that this equipment produces could cut through skin and its underlying tissues, resulting in serious injury and possible amputation.

- Spray gun traps high water pressure, even when motor is stopped and water is disconnected, which could result in serious injury.
- NEVER aim spray gun at people, animals, or plants.
 - ALWAYS point spray gun in safe direction, squeeze spray gun trigger to release high pressure, every time you turn off pressure washer.
 - Do not direct the jet against yourself or others in order to clean clothes or foot-wear.

⚠ WARNING Risk of fire. Overheated cord could result in death or serious injury.



- Uncoil cord completely prior to use.
- DO NOT cover cord with any material.

⚠ WARNING Risk of fire. Spraying flammable liquids could result in death or serious injury.



- DO NOT spray flammable liquids.

⚠ WARNING Chemical Burn Hazard.
Chemicals could cause burns resulting in death or serious injury.



- Always wear indirect vented (chemical splash) safety goggles marked to comply with AS/NZS 1337 (ANSI Z87.1 equivalent) when using or in vicinity of this equipment.
- DO NOT substitute safety glasses or dry-condition goggles for indirect vented safety goggles.
- DO NOT use caustic liquid with electric pressure washer.
- Use ONLY pressure washer safe detergents/soaps. Follow all manufacturers instructions.

NOTICE High pressure spray could damage fragile items including glass.

- DO NOT point spray gun at glass when using 0° nozzle setting.
- NEVER aim spray gun at plants.

NOTICE You must protect your unit from freezing temperatures.

- Failure to do so will permanently damage your pump and render your unit inoperable.
- Freeze damage is not covered under warranty.

NOTICE Improper treatment of electric pressure washer could damage it and shorten its life.

- If you have questions about intended use, ask dealer or contact authorized service center.
- DO NOT operate units with broken or missing parts, or without protective housing or covers.
- DO NOT by-pass any safety device on the electric pressure washer.
- DO NOT modify the electric pressure washer in any way.
- DO NOT move the electric pressure washer by pulling on hoses. Move unit using the transport handle supplied.
- Use ONLY branded accessories intended for use with this product.

Not for
Reproduction

Assembly

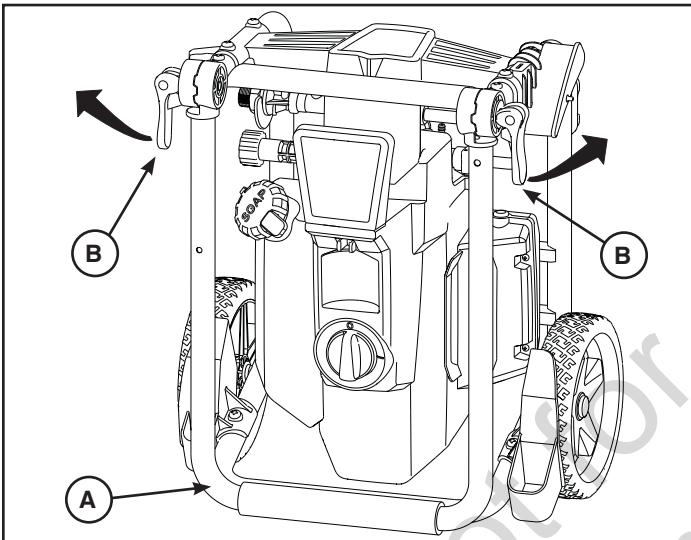


Read entire operator's manual before you attempt to assemble or operate your new electric pressure washer.

Your electric pressure washer requires some assembly but is quickly ready for use. If you have any problems with the assembly of your electric pressure washer, please call the electric pressure washer helpline at **1800-356-632 (AUS)** or **0800-484-282 (NZ)**. If calling for assistance, please have the model, revision, and serial number from the identification label available.

Unpack Electric Pressure Washer

1. Remove everything from carton.
2. Raise handle (A) to upright position by pulling up latch on each side of handle. Push latches (B) down to secure handle in place.



NOTICE The unit is equipped with a foldable handle. The handle can be folded down for storage. See *Final Storage Procedures*.

3. Ensure you have all included items prior to assembly.

Items Included in the Carton

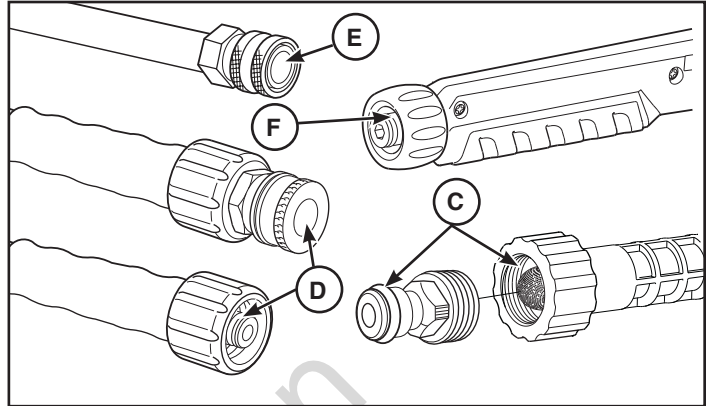
- Main unit
- Operator's manual
- Spray gun
- High pressure hose
- Spray wand with Quick Connect (QC)
- 7-in-1 nozzle

Become familiar with each component before assembling the electric pressure washer. Identify contents with the illustration shown in *Features and Controls*.

Lubricate O-Rings

Lubrication of o-rings is extremely important for installation and operation. The use of a lubricant (petroleum or synthetic grease) during assembly helps seat o-rings properly and provides an improved seal. It also helps protect the o-ring from damage by abrasion, pinching or cutting and extends the life of the o-ring.

NOTICE ALWAYS apply a small amount of lubricant on o-rings prior to assembling the garden hose to the pump (C), high pressure hose (D), spray wand (E) and spray gun (F).



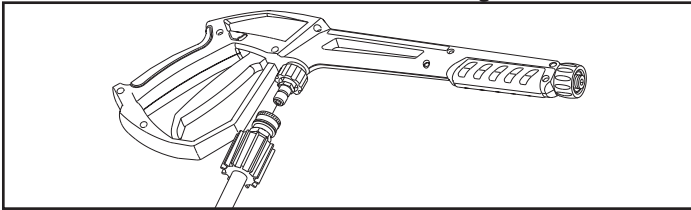
Lubricate all connections shown below, following these instructions:

1. Inspect and clean connecting surfaces prior to lubrication and assembly.
2. Use lubricants sparingly during assembly; a light film is all that is required.
3. Use a small brush or cotton swab to apply grease directly to o-rings where they are not accessible (QC fitting, M22 fitting).

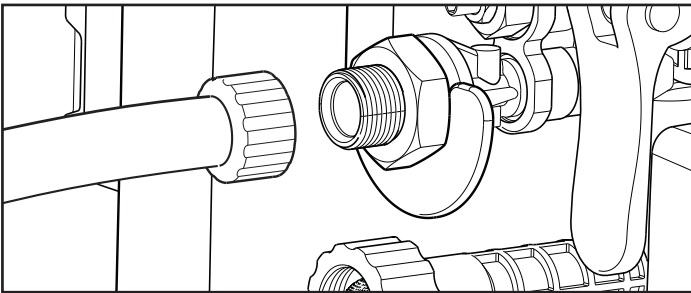
Connect Hose and Water Supply to Pump

NOTICE DO NOT run the pump without the water supply connected and turned on.

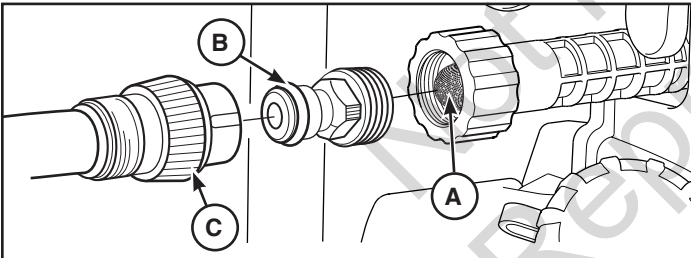
- Damage to equipment resulting from failure to follow this instruction will void warranty.
1. Uncoil high pressure hose and attach black end of hose to base of spray gun. Pull back on collar of quick connect, slide fitting onto spray gun and let go of collar. Pull on hose to be sure of a tight connection.



2. Attach blue end of high pressure hose to high pressure outlet on pump. Tighten by hand.



3. Before connecting garden hose to water inlet, inspect inlet screen (A). Clean screen if it contains debris or have it replaced if damaged. DO NOT run pressure washer if inlet screen is damaged.



4. Attach garden hose adapter (B) to water inlet. Tighten by hand.
5. Run water through your garden hose (C) for 30 seconds to clean out any debris.

NOTICE DO NOT siphon standing water for the water supply. Use ONLY cold water (less than 38°C (100°F)).



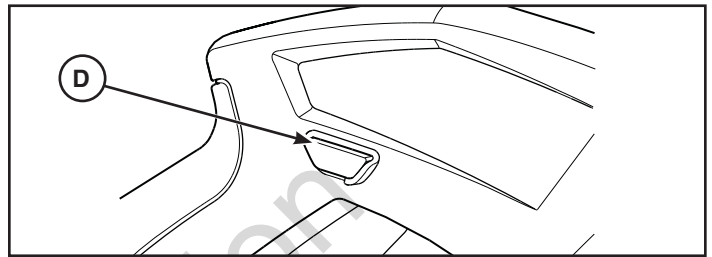
WARNING! Water that has flowed through a backflow preventer is considered to be non-potable.

NOTICE Using a One Way Valve (vacuum breaker or check valve) at pump inlet could cause pump or inlet connector damage.

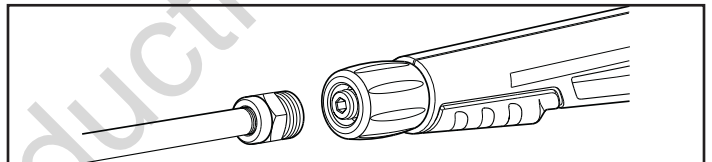
- There MUST be at least 3 m (10 ft) of unrestricted garden hose between the pressure washer inlet and any device, such as a vacuum breaker or check valve.
 - Damage to equipment resulting from failure to follow this instruction will void warranty.
6. Connect garden hose (not to exceed 15.24 m (50 ft) in length) to water inlet. Pull back on collar of quick connect, slide fitting onto water inlet and let go of collar. Pull on garden hose to be sure of a tight connection.

Connect Spray Wand and 7-in-1 Nozzle

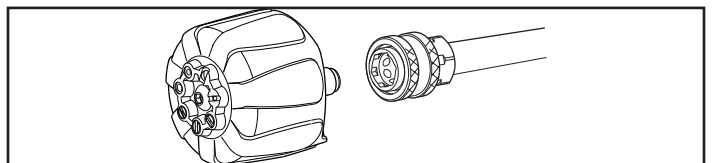
1. Turn ON water, point gun in a safe direction, press trigger lock button (D), then squeeze trigger to purge pump system and spray gun of air and impurities.



2. Attach spray wand to spray gun. Tighten by hand.



3. Pull back on collar of spray wand, insert 7-in-1 nozzle and release collar. Tug on 7-in-1 nozzle to make sure it is securely in place. See *How to Use Nozzles*.



Checklist Before Starting Pump Motor

Review the unit's assembly to ensure you have performed all of the following.

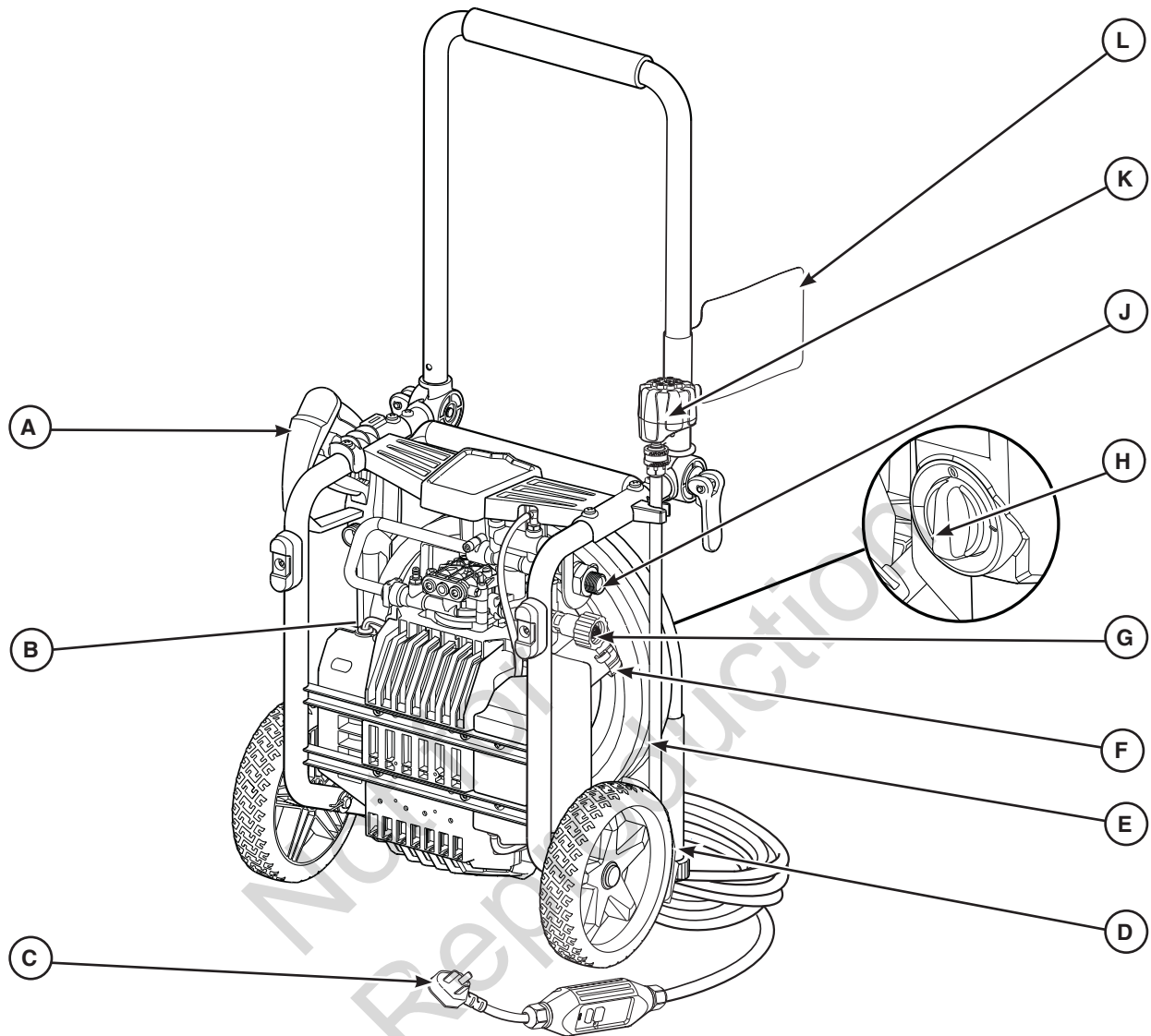
1. Be sure to read *Operator Safety* and *Operation* before using the electric pressure washer.
2. Check for properly tightened hose connections.
3. Check to make sure there are no kinks, cuts, or damage to hoses.
4. Provide a proper water supply at an adequate flow.
5. Plug electrical power cord into a dedicated electrical circuit rated for 230 Volts AC at 10 Amps that is properly installed in accordance with all local codes and ordinances. Check that circuit is not used to supply any other electrical needs.

Features and Controls



Read the Operator's Manual and safety rules before operating your electric pressure washer.

Compare the illustrations with your electric pressure washer to familiarize yourself with the locations of various controls and adjustments. Save this original manual for future reference.



A - Spray Gun — Controls the application of water onto cleaning surface with trigger device. Includes trigger lock.

B - Identification Label — Provides model and serial number of pressure washer. Please have these readily available if calling for assistance.

C - Electric Cord with PRCD — The electric pressure washer and operator is protected by a portable residual current device (PRCD).

D - High Pressure Hose — Connect one end to high pressure water outlet and the other end to spray gun.

E - Spray Wand with Quick Connect — Allows you to switch between 7-in-1 nozzle and optional accessories.

F - Detergent Tank — Use to hold up to 1.2 l (40 oz.) of pressure washer safe detergent.

G - Water Supply Inlet — Connect to water supply using a 15.24 m (50 ft.) maximum garden hose.

H - Master ON/OFF Toggle Switch — Turn switch to ON (I) position to start pressure washer. Turn switch to OFF (O) position to stop pressure washer.

J - High Pressure Outlet — Connection for high pressure hose.

K - 7-in-1 Nozzle — Contains seven different spray pattern nozzles for various applications.

L - Warning Label — Identifies hazards to be avoided when using your pressure washer.

Operation

How to Start Your Electric Pressure Washer

Follow the instructions below in the order presented. If you have any problems operating your electric pressure washer, please call the electric pressure washer helpline at **1800-356-632 (AUS)** or **0800-484-282 (NZ)**.

⚠ WARNING Risk of eye injury. Spray could splash back or propel objects resulting in serious injury. Always wear indirect vented (chemical splash) safety goggles marked to comply with AS/NZS 1337 (ANSI Z87.1 equivalent) when using or in vicinity of this equipment.

1. Place the electric pressure washer near an outside water source capable of supplying water at a flow rate greater than 18.9 LPM (5.0 GPM) and 0.17-0.52 MPa (1.7-5.2 BAR or 25-75 PSI) at the electric pressure washer end of garden hose. **DO NOT** siphon supply water.
2. Connect garden hose to water inlet.
3. Check that high pressure hose is tightly connected to spray gun and high pressure outlet. See *Assembly* section.

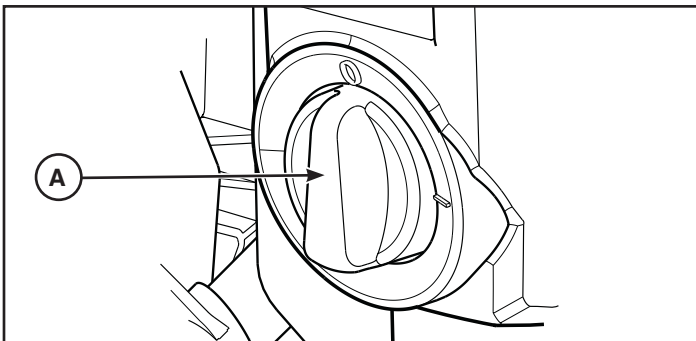
NOTICE If hose connections start leaking during use, shut down unit as described in steps 1-5 of *How to Stop Your Electric Pressure Washer*. Remove hose completely and reinstall hand tight. Failure to completely remove hose could damage o-ring and cause hose connection to continue leaking. If o-ring becomes damaged, replace.

NOTICE **DO NOT** run the pump without the water supply connected and turned on.

- Damage to equipment resulting from failure to follow this instruction will void warranty.
4. Turn ON water, point gun in a safe direction, press trigger lock button and squeeze trigger to purge pump system of air.
 5. Install spray wand and 7-in-1 nozzle onto spray gun. See *Assembly* section.

NOTICE The unit can be operated in vertical or horizontal positions.

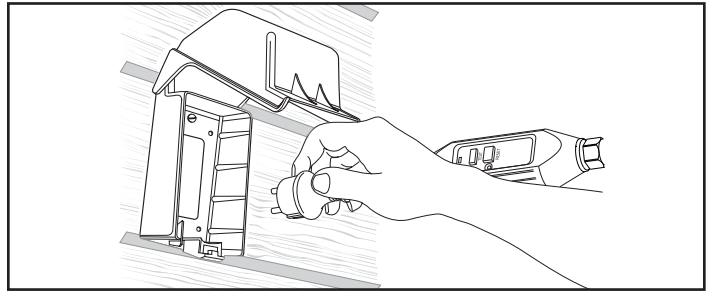
6. Turn master ON/OFF switch (A) to OFF (0) position.



⚠ WARNING Risk of electrocution. Use of an extension cord could cause electric shock or burn resulting in death or serious injury.

- **DO NOT** use an extension cord with this electric pressure washer. Your home's electrical circuit receptacle or extension cord may not provide lifesaving portable residual current device protection (PRCD).

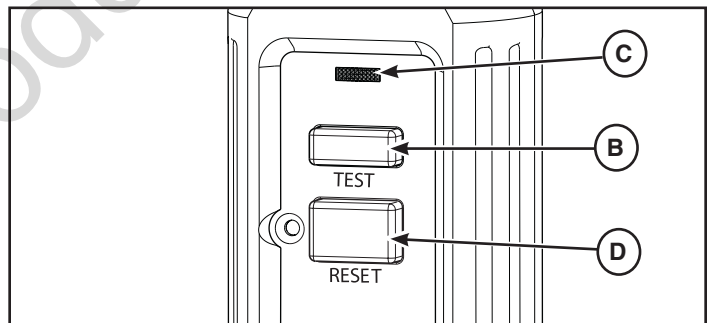
7. Plug electrical power cord into a dedicated electrical circuit rated for 230 Volts AC at 10 Amps that is properly installed in accordance with all local codes and ordinances. Circuit is not to supply any other electrical needs. The indicator light on the PRCD should be ON.



NOTICE The indicator light must be ON for the electric pressure washer to operate.

⚠ WARNING Risk of electrocution. Non-operating PRCD could result in death or bodily injury. If indicator light does not stay ON after test and retest, do not use PRCD.

8. Press TEST button (B). The indicator light (C) should be OFF.



9. Press RESET button (D). The indicator light (C) should be ON.

NOTICE **DO NOT** use the electric pressure washer if above test fails.

10. Turn master ON/OFF switch to ON (I) position.
11. Point gun in a safe direction, press trigger lock button and squeeze trigger.

The electric pressure washer motor will start and stop as spray gun trigger is depressed and released.

The electric pressure washer is now ready for use. Instructions for use of the supplied accessories are given later in this section.

How to Stop Your Electric Pressure Washer

The electric pressure washer motor runs only when the trigger is engaged. To stop the electric pressure washer and turn off the motor:

1. Release spray gun trigger.
2. Turn master ON/OFF switch to OFF (0) position.

NOTICE Releasing the trigger will shut off the motor but does not shut off electrical power to the unit.

3. Turn off water supply.
4. ALWAYS point spray gun in a safe direction, press trigger lock button and squeeze trigger to relieve built up pressure in the unit.



WARNING The high pressure stream of water that this equipment produces could cut through skin and its underlying tissues, resulting in serious injury and possible amputation.

Spray gun traps high water pressure, even when motor is stopped and water is disconnected, which could result in serious injury.

- DO NOT allow CHILDREN to play with or operate pressure washer.
- Keep high pressure hose connected to pump and spray gun while system is pressurized.
- ALWAYS point spray gun in safe direction, squeeze spray gun trigger to release high pressure, every time you turn off pressure washer.

5. Disconnect PRCD plug from outlet.

How to Use Nozzles

7-in-1 Nozzle

The 7-in-1 nozzle allows you to switch between seven different spray pattern nozzles. Release trigger on spray gun to engage safety lock before changing spray patterns. The spray patterns vary as shown below.

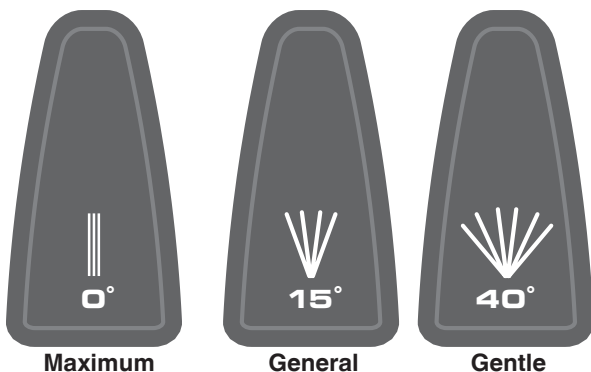
1. Select desired spray pattern:
 - Select Maximum 0° nozzle setting for stubborn or hard to reach surface such as second story surfaces, paint removal, oil stains, rust removal or other stubborn substances (tar, gum, grease, wax, etc.).

- Select General 15° nozzle setting for tougher cleaning tasks. Ideal for removing grease and dirt from hard surfaces. Also capable of stripping paint when held at a 45° angle.
 - Select Gentle 40° nozzle setting for gentle cleaning of cars/trucks, boats, RV's, patio furniture, lawn equipment, etc.
 - Select Fan Spray nozzle setting for optimal high flow rinsing away of light dirt and debris.
 - Select Fan Spray with Soap nozzle setting for delicate surface cleaning of cars, trucks, childrens play equipment, patio furniture, etc.
 - Select Extended Reach nozzle setting for quick high flow clean up and long reach cleaning of second story siding and windows.
 - Select Extended Reach with Soap nozzle setting to propell soap to second story siding and windows.
2. Turn dial until desired spray pattern lines up with arrow on 7-in-1 nozzle.

Usage Tips

- For most effective cleaning, keep nozzle from 20 to 61 cm. (8 to 24 in.) away from cleaning surface.
- If you get too close, especially using a high pressure spray pattern nozzle, you may damage surface being cleaned.
- Do Not get closer than 15 cm (6 in.) when cleaning tires.

High Pressure Mode

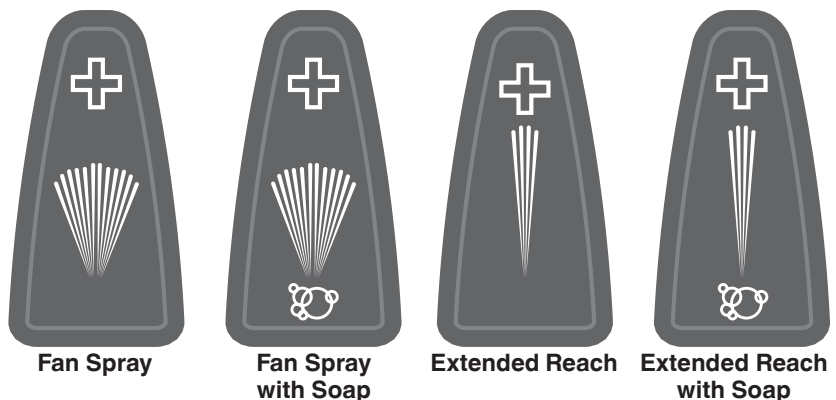


Maximum

General

Gentle

High Flow Mode



Fan Spray

Fan Spray
with Soap

Extended Reach

Extended Reach
with Soap

Applying Detergent

⚠ WARNING Chemical Burn Hazard.

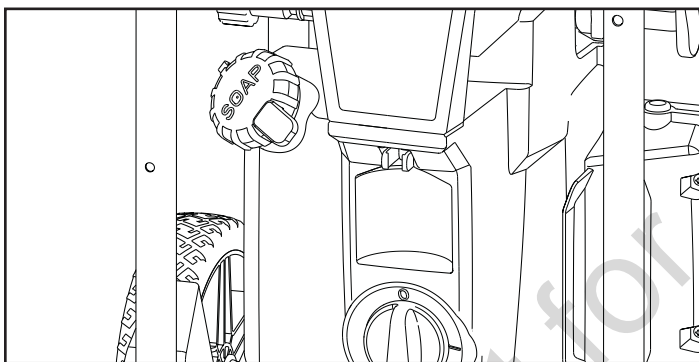


Chemicals could cause burns resulting in death or serious injury.

- Always wear indirect vented (chemical splash) safety goggles marked to comply with AS/NZS 1337 (ANSI Z87.1 equivalent) when using or in vicinity of this equipment.
- DO NOT substitute safety glasses or dry-condition goggles for indirect vented safety goggles.
- DO NOT use caustic liquid with electric pressure washer.
- Use ONLY pressure washer safe detergents/soaps. Follow all manufacturers instructions.

To apply detergent, follow these steps:

1. Review use of nozzles shown in *How to Use Nozzles*.
2. Prepare your detergent solution as required by job to be performed.



3. Remove cap from detergent tank and fill with detergent solution. Replace cap.
4. Make sure one of the soap spray pattern nozzles is selected on 7-in-1 nozzle.

NOTICE Detergent cannot be applied with high pressure nozzles (maximum, general, delicate, fan spray or extended reach).

5. Make sure garden hose is connected to water inlet and high pressure hose is connected to spray gun and high pressure outlet. Turn on water.
6. Start the pressure washer as instructed in *How to Start Your Electric Pressure Washer*.
7. Apply detergent to a dry surface, starting at lower portion of area to be washed and work upward using long, even, overlapping strokes.

NOTICE High water supply pressure may not allow detergent to flow. See *Troubleshooting*.

8. Allow detergent to “soak in” for 3-5 minutes before washing and rinsing. Reapply as needed to prevent surface from drying. To prevent streaking, Do not allow detergent to dry on surface.

Electric Pressure Washer Rinsing

1. Select desired high pressure nozzle following instructions *How to Use Nozzles*.
2. Keep spray gun a safe distance from area you plan to spray.

⚠ WARNING Risk of kickback.



Spray gun could kickback causing you to fall resulting in death or serious injury.

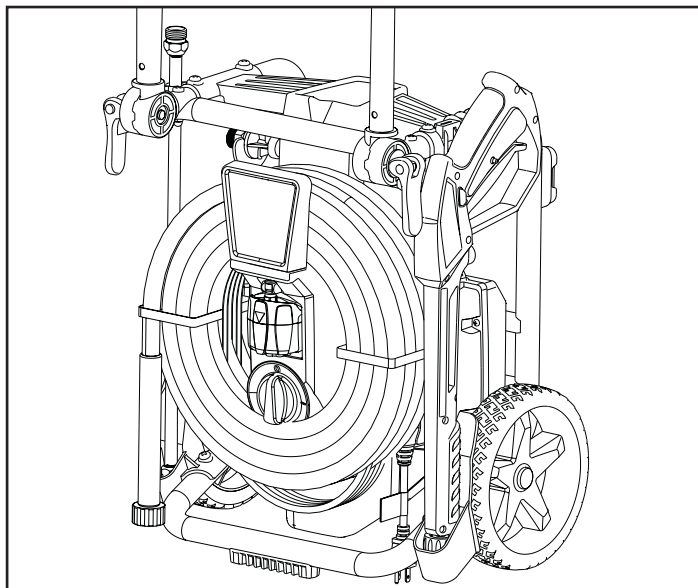
- Operate the electric pressure washer from a stable surface.
 - Be extremely careful if you must use the electric pressure washer from a ladder, scaffolding, or any other similar location.
 - Firmly grasp spray gun with both hands when using power spray modes to avoid injury when spray gun kicks back.
3. Apply a high pressure spray to a small area and then check surface for damage. If no damage is found, you can assume it is okay to continue rinsing.
 4. Start at top of area to be rinsed, working down with same overlapping strokes as you used for cleaning.

Other Cleaning Tips

- NEVER leave the electric pressure washer unattended while it is plugged into an electrical outlet and while water is supplied to the equipment.
- If you have the nozzle too far away from the surface being washed, the cleaning may not be as effective.

How to Store Accessories

The unit is equipped with places to store your high pressure hose, spray gun, spray wand, 7-in-1 nozzle and power cord. Identify all accessories with the illustrations in *Features and Controls*.



Maintenance

General Recommendations

Regular maintenance will improve the performance and extend the life of the electric pressure washer.

The electric pressure washer's warranty does not cover items that have been subjected to operator abuse or negligence. To receive full value from the warranty, the operator must maintain the electric pressure washer as instructed in this manual, including proper storage.

⚠ WARNING To ensure machine safety, use only original spare parts from manufacturer or approved by manufacturer. Should you have questions about replacing components on your electric pressure washer, please visit our website at **BRIGGSandSTRATTON.com.au**.

Remove plug from outlet to disconnect power during cleaning or maintenance and when replacing parts.

NOTICE Your electric pressure washer was designed and intended to be used with POWERflow+ components ONLY. Using components that are not designed for POWERflow+ will cause your pressure washer to not function optimally.

Before Each Use

1. Clean debris.
2. Check water inlet screen for debris or damage.
3. Check high pressure hose for leaks.
4. Check spray gun operation.

Electric Pressure Washer Maintenance

Clean Debris

Daily or before use, clean accumulated debris from electric pressure washer. Inspect cooling air slots and openings on the front, rear and bottom of the electric pressure washer. These openings must be kept clean and unobstructed.

The electric pressure washer parts should be kept clean to reduce risk of overheating and ignition of accumulated debris.

- Use a damp cloth to wipe exterior surfaces clean.

NOTICE Improper treatment of the electric pressure washer can damage it and/or shorten its life.

- DO NOT insert any objects through cooling slots.

Check and Clean Water Inlet Screen

Examine the screen on the unit's water inlet. Clean it if the screen is clogged or replace it if screen is damaged.

Check High Pressure Hose

The high pressure hose can develop leaks from wear, kinking, or abuse. Inspect the hose each time before using it. Check for cuts, leaks, abrasions or bulging of cover, damage or movement of couplings. If any of these conditions exist, replace the hose immediately.

⚠ WARNING The high pressure stream of water that this equipment produces could cut through skin and its underlying tissues, resulting in serious injury and possible amputation.

- NEVER repair high pressure hose. Replace it.
- Replacement hose rating MUST equal or exceed maximum pressure rating of unit.

Check Spray Gun

Examine hose connection to spray gun and make sure it is secure. Test trigger by pressing trigger lock button and making sure trigger "springs back" into place when you release it. You should not be able to press trigger without pressing trigger lock button. Replace spray gun immediately if it fails any of these tests.

Nozzle Maintenance

Excessive pump pressure can cause a pulsing sensation felt while squeezing the spray gun trigger. The principal cause of excessive pump pressure is a nozzle clogged or restricted with foreign materials such as dirt, etc. A clogged nozzle could lead to pump cycling ON/OFF or not turning on even when there is some flow.

To correct the problem, immediately clean the nozzle by following these instructions:

1. Turn master ON/OFF switch to OFF (0) position. Remove power cord plug from electrical outlet.
2. Disconnect water supply at the electric pressure washer.
3. ALWAYS point spray gun in a safe direction, press trigger lock button and squeeze spray gun trigger to release retained high water pressure.

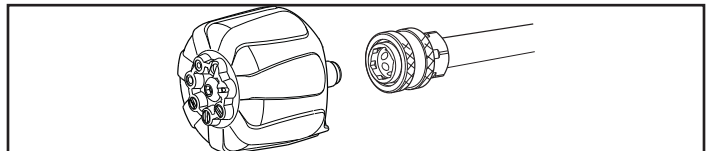


⚠ WARNING The high pressure stream of water that this equipment produces could cut through skin and its underlying tissues, resulting in serious injury and possible amputation.

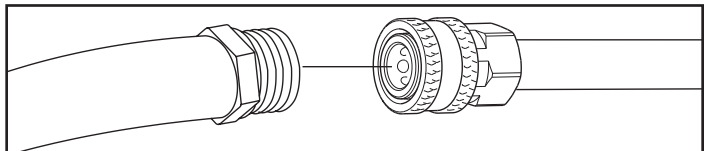
Spray gun traps high water pressure, even when motor is stopped and water is disconnected, which could result in serious injury.

- Keep high pressure hose connected to pump and spray gun while system is pressurized.
- ALWAYS point spray gun in safe direction, squeeze spray gun trigger to release high pressure, every time you turn off pressure washer.

4. Remove 7-in-1 nozzle from end of spray wand.



5. Use small paper clip to free any foreign material clogging or restricting any of the nozzles.
6. Using a garden hose, remove additional debris by back flushing water through spray wand. Back flush between 30 to 60 seconds.



7. Reinstall 7-in-1 nozzle into spray wand.
8. Reconnect spray wand to spray gun.

9. Make sure garden hose is connected to water inlet. Check that high pressure hose is connected to spray gun. Turn on water.
10. Plug power cord into electrical outlet and turn master ON/OFF switch to pressure washer ON (I) position.
11. Test the electric pressure washer by operating with each nozzle setting.

Pump and Motor Maintenance

The electric pressure washer does not require any maintenance to the pump or motor. Both assemblies are pre-lubricated and sealed, requiring no additional lubrication ever.

After Each Use

Water should not remain in the unit for long periods of time. Sediments or minerals can deposit on pump parts and “freeze” pump action. Follow these procedures after every use:

1. To ensure detergent tank does not drain during storage, run electric pressure washer with a soap spray nozzle until tank is empty.
2. Add 0.5 liter of clean fresh water to detergent tank, run electric pressure washer with a soap nozzle. Flush for one or two minutes.
3. Turn master ON/OFF switch to OFF (0) position. Remove power cord plug from electrical outlet.
4. Turn off water supply. Point gun in a safe direction, press trigger lock button and squeeze trigger to relieve trapped pressure.
5. Disconnect garden hose from water inlet. Disconnect high pressure hose from spray gun and high pressure outlet.
6. Drain water from hose and spray gun, then use a cloth or equivalent to wipe off all exterior surfaces.
7. Drain water from pump by tipping unit onto its right side (water inlet and high pressure outlet facing down) for two minutes.
8. Wrap high pressure hose and power cord on hook.
9. Store spray gun, spray wand, and 7-in-1 nozzle in provided storage areas.
10. Store unit in a clean, dry area.
11. If storing for more than 30 days see *Winter or Long Term Storage*.

Winter or Long Term Storage

Follow steps 1-9 in *After Each Use*.



NOTICE Water left in pump could freeze and permanently damage pump. Freeze damage is not covered under warranty.

Protecting the Pump

To protect the pump from damage caused by mineral deposits or freezing, use PumpSaver, Model 6039, to treat pump. This prevents freeze damage and lubricates plunger and seals.

NOTICE PumpSaver is available as an optional accessory. It is not included with the electric pressure washer. Contact the nearest authorized service center to purchase Pump Saver.

NOTICE You must protect your unit from freezing temperatures.

- Failure to do so will permanently damage your pump and render your unit inoperable.
- Freeze damage is not covered under warranty.

To use PumpSaver, make sure electric pressure washer is turned off and inlet and outlet hoses are disconnected. Read and follow all instructions and warnings given on the PumpSaver container.

Final Storage Procedures

1. Wrap high pressure hose and power cord on hook.
2. Store spray gun, spray wand, and 7-in-1 nozzle in provided storage areas.
3. Store unit in a clean, dry area that is protected from freezing temperatures. The unit is equipped with a foldable handle. The handle can be folded down for storage. The unit can be operated in vertical or horizontal positions.
4. Cover unit with a suitable protective cover that does not retain moisture.

Troubleshooting

Problem	Cause	Correction
<p>Pump has following problems: failure to produce pressure, erratic pressure, chattering, loss of pressure, low water volume.</p>	<ol style="list-style-type: none"> 1. Water inlet is blocked. 2. Inadequate water supply. 3. Garden hose is kinked or leaking. 4. Clogged water inlet screen. 5. Water supply is over 38° C (100° F). 6. High pressure hose is blocked or leaks. 7. Nozzle is obstructed. 	<ol style="list-style-type: none"> 1. Clear inlet. 2. Provide adequate water flow. 3. Straighten garden hose or replace if leaking. 4. Check and clean water inlet screen. 5. Provide cooler water supply. 6. Clear blocks in high pressure hose or replace hose. 7. Clean spray tip.
<p>Unit fails to start when spray gun trigger is squeezed.</p>	<ol style="list-style-type: none"> 1. Water supply is not turned on. 2. Unit is not turned on. 3. Garden hose is too long. 4. Fuse blown or circuit breaker tripped. 	<ol style="list-style-type: none"> 1. Turn on water supply. 2. Turn master ON/OFF switch to ON (I) position. Reset PRCD. 3. Use only 15.24 m (50 ft.) maximum garden hose. 4. a.) Check fuse box for blown fuse and replace as necessary or reset circuit breaker. Do not use a fuse or circuit breaker with a higher rating than that specified for your particular branch circuit. b.) Disconnect other electrical appliances and turn off lights in the circuit or operate the pressure washer on its own dedicated circuit. c.) Run pressure washer in any POWERflow+ High Flow Mode (⊕) nozzle setting for 10 minutes. Motor break in may be necessary.
<p>Detergent fails to mix with spray.</p>	<ol style="list-style-type: none"> 1. High pressure or high flow without soap nozzle is selected. 2. Inlet water supply pressure too high. 	<ol style="list-style-type: none"> 1. Select a high flow soap nozzle setting (indicated with bubbles). 2. Slowly close water supply valve until chemical just starts to draw (soap suds will appear when chemical starts to draw).
<p>Hose connections leaking.</p>	<ol style="list-style-type: none"> 1. Garden hose loose to water inlet. 2. Loose high pressure hose connections. 3. Damaged o-ring. 	<ol style="list-style-type: none"> 1. Hand tighten garden hose to water inlet. 2. Remove hose completely and reinstall hand tight. 3. Replace o-ring.

For all other issues, see a Briggs & Stratton authorized dealer.

LIMITED WARRANTY

Briggs & Stratton warrants that, during the warranty period specified below, it will repair or replace, free of charge, any part that is defective in material or workmanship or both. Transportation charges on product submitted for repair or replacement under this warranty must be borne by purchaser. This warranty is effective for and is subject to the time periods and conditions stated below. For warranty service, find the nearest Authorized Service Dealer in our dealer locator map at BRIGGSandSTRATTON.COM The purchaser must contact the Authorized Service Dealer, and then make the product available to the Authorized Service Dealer for inspection and testing.

There is no other express warranty. Implied warranties, including those of merchantability and fitness for a particular purpose, are limited to the warranty period listed below, or to the extent permitted by law. Liability for incidental or consequential damages are excluded to the extent exclusion is permitted by law. Some states or countries do not allow limitations on how long an implied warranty lasts, and some states or countries do not allow the exclusion or limitation of incidental or consequential damages, so the above limitation and exclusion may not apply to you. This warranty gives you specific legal rights and you may also have other rights which vary from state to state or country to country.**

WARRANTY PERIOD

Consumer Use	Commercial Use
24 months	None

** In Australia - Our goods come with guarantees that cannot be excluded under the Australian Consumer Law. You are entitled to a replacement or refund for a major failure and for compensation for any other reasonably foreseeable loss or damage. You are also entitled to have the goods repaired or replaced if the goods fail to be of acceptable quality and the failure does not amount to a major failure. For warranty service, find the nearest Authorized Service Dealer in our dealer locator map at BRIGGSandSTRATTON.COM, or by calling 1300 274 447, or by emailing or writing to salesenquires@briggsandstratton.com.au, Briggs & Stratton Australia Pty Ltd, 1 Moorebank Avenue, NSW, Australia, 2170.

The warranty period begins on the date of purchase by the first retail or commercial consumer. "Consumer use" means personal residential household use by a retail consumer. "Commercial use" means all other uses, including use for commercial, income producing or rental purposes. Once a product has experienced commercial use, it shall thereafter be considered as a commercial use product for purposes of this warranty.

Save your proof of purchase receipt. If you do not provide proof of the initial purchase date at the time warranty service is requested, the manufacturing date of the product will be used to determine the warranty period. Product registration is not required to obtain warranty service on Briggs & Stratton products.

ABOUT YOUR WARRANTY

Warranty service is available only through Briggs & Stratton Authorized Service Dealers. Most warranty repairs are handled routinely, but sometimes requests for warranty service may not be appropriate. This warranty covers only defects in materials or workmanship. It does not cover damage caused by improper use or abuse, improper maintenance or repair, normal wear and tear, or stale or unapproved fuel.

Improper Use and Abuse - The proper, intended use of this product is described in the Operator's Manual. Using the product in a way not described in the Operator's Manual or using the product after it has been damaged will not be covered under this warranty. Warranty coverage will also not be provided if the serial number on the product has been removed or the product has been altered or modified in any way, or if the product has evidence of abuse such as impact damage or water/chemical corrosion damage.

Improper Maintenance or Repair - This product must be maintained according to the procedures and schedules provided in the Operator's Manual, and serviced or repaired using genuine Briggs & Stratton parts or equivalent. Damage caused by lack of maintenance or use of non-original parts is not covered by warranty.

Normal Wear and Tear - Like most mechanical devices, your unit is subject to wear even when properly maintained. This warranty does not cover repairs when normal use has exhausted the life of a part or the equipment. Maintenance and wear items such as filters, belts, cutting blades, and brake pads (except engine brake pads) are not covered by warranty due to wear characteristics alone, unless the cause is due to defects in material or workmanship.

Stale or Unapproved Fuel - In order to function correctly, this product requires fresh fuel that conforms to the criteria specified in the Operator's Manual. Engine or equipment damage caused by stale fuel or the use of unapproved fuels (such as E15 or E85 ethanol blends) is not covered by warranty.

Other Exclusions - This warranty excludes damage due to accident, abuse, modifications, alterations, improper servicing, freezing or chemical deterioration. Attachments or accessories that were not originally packaged with the product are also excluded. There is no warranty coverage on equipment used for primary power in place of utility power or on equipment used in life support applications. This warranty does not include used, reconditioned, second-hand, or demonstration equipment or engines. This warranty also excludes failures due to acts of God and other force majeure events beyond the manufacturer's control.



Electric Pressure Washer

Specifications

Allowable Pressure	PSI/MPa/BAR	2,500/17.2/172*
Max Flow	LPM/GPM	12.1/3.2*
Rated Pressure and Flow	PSI/MPa/BAR @ LPM/GPM	2,000/13.8/138 @ 4.1/1.1*
Water Supply Temperature	°C/°F	5-38/41-100
Rated Voltage	V	230
Rated Frequency	Hz	50
Power Consumption	W	1,380
Current	A	6
Protection Class	Class	Class I
Protection Degree	IP xx	IPX5
Sound Pressure Level L_{pA} at 3m	dB(A)	80 [§]

* Per AS/NZS 60335-2-79

§ Measured sound values in accordance to Tasmanian Environmental Management and Pollution Control (Miscellaneous Noise) Regulations.

Briggs & Stratton Corporation
P.O. Box 702
Milwaukee, Wisconsin, 53201-0702 U.S.A.